

BBM all in one Hybrid Led Solar Light

SL-01-G3(HY)



Hybrid Led Solar Street Light , Light up every night .

IP66 water-proof ALL-IN-ONE
 Easy Installation 190lm/W
Operating Temp.: -5°C ~+50°C **Storage Temp.:** -20°C ~+50°C



Options

CCT
 3000K
 4000K
 5000K
 5700K

Beam Angle
 Type II-M(160*80°)

Application

Pathway, Parking lot, Garden, Schools, Residential area, Villas, Resorts, Factories, Landscape, Architectural decorative lighting, Village roads and other places.

Specifications

Item	SL50W-01-G3(HY)	SL90W-01-G3(HY)	SL120W-01-G3(HY)
Solar Panel	50W/18V	90W/18V	120W/18V
Solar Cell	High Efficiency Monocrystalline Silicon		
Lithium Battery	18AH/12.8V	30AH/12.8V	42AH/12.8V
Effi.	190Lm/W		
Lamp Power	30W	50W	70W
LED Driver	Input : 100-277VAC Output : 12VDC (Constant)		
Solar Power Change to Mains Power	When Battery Voltage < 10.4V (Battery Nominal Voltage is 12.8V)		
Led	SMD5050		
CRI	>70		
Beam Angle	Type II-M(160*80°)		
Controller	Solar Charge Controller with LED Driver		
Weight	20.5kg(45.2lbs)	27.5kg(60.6lbs)	37.0kg(81.6lbs)
Pole top diameter	Ø60-78mm		
Mounting height	5~15m		
Installation space	10~30m		

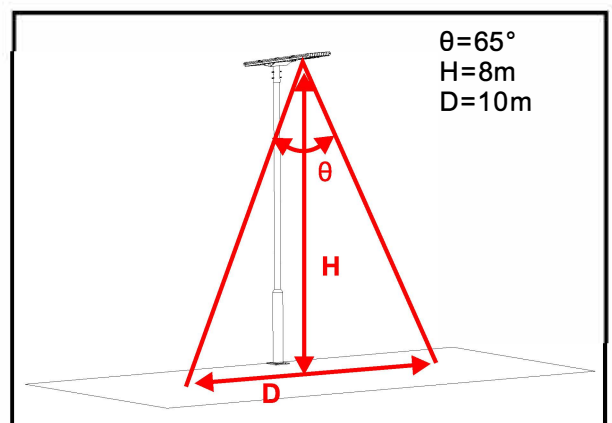
Lighting Modes Options

Option 1 :
 At night, T1:100%-9hr, T2:100%-6hr.
 For example, when the led solar panel street light turn-on at 6:00 pm,
 T1: 100%-9hr on 6:00pm-3:00am,
 T2: 100%-6hr on 3:00am-dawn,

Sensing Lighting Modes Options

Option 1:
 At night, Light on 100% if motion detected , Stand-by period 60 seconds ,
 Light on 10% if no motion detected.
 For example, when the led solar panel street light turn-on at 6:00 pm,
 6:00 pm - dawn (Light on 100% if motion detected , Stand-by period 60
 seconds , Light on 10% if no motion detected).

Sensing Range



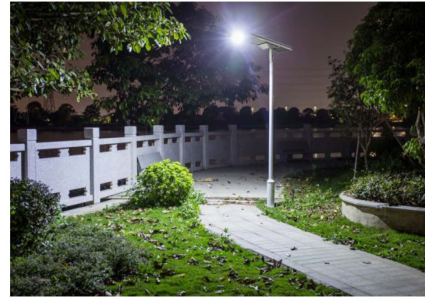
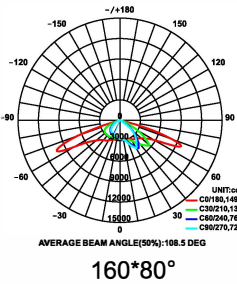
Remarks: The street lights' turn-on time depends on the clients' local time(Turn-on Light Level: <20lux).

Customized modes available.

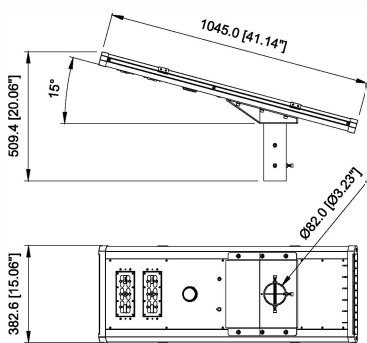
SL-01-G3(HY)

BBM all in one Hybrid Led Solar Light

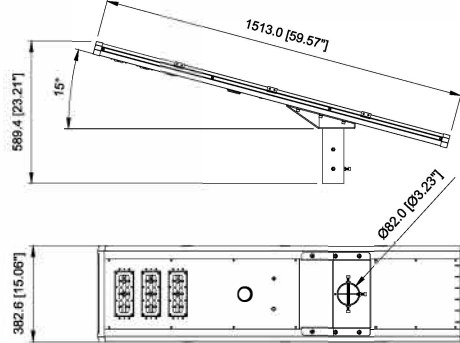
Photometry



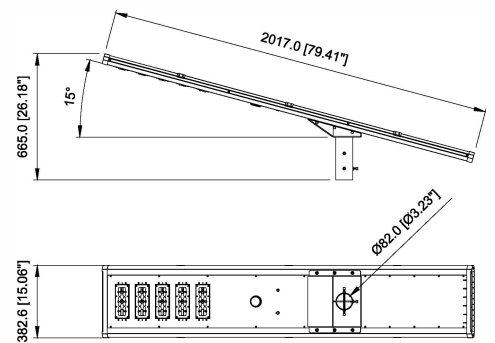
Dimensions(mm)



50W



90W

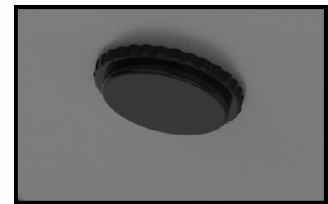


120W

Model Options



Sensor Optional



Installation and use

- 1 **Street Light**
The standard package include Street light and Street light head.
- 2 **Use 6pcs M8 screws to lock the street lamp head with the lamp body.**
- 3 **Wiring Diagram**
Brown(Black) → L
Blue(White) → N
Green/Yellow → GND
- 4 **Install the street light on the pole, then tighten street light head with 5pcs M8 screws.**
Ø60-Ø78mm (Ø2.36"-3.07")
- 5 **Optional**
Use an internal hexagonal tool to Loosen the 2pcs M4 screws of module, then adjust the module to suitable angle.
- 6 **Optional**
Each module can adjust ±20°, tightened the screw to complete the installation.

Packing Spec

Item	Box			Carton		
	Measurement(mm)	Gross weight	Pcs/box	Measurement(mm)	Gross weight	Pcs/box
SL50W-01-G3(HY)	Solar Lamp : L1140*W485*H160	15.0kg(33.1lbs)	1	/	/	/
	Street Light Head : L400*W345*H320	7.20kg(15.9lbs)	1	/	/	/
SL90W-01-G3(HY)	Solar Lamp : L1610*W485*H160	22.9kg(50.5lbs)	1	/	/	/
	Street Light Head : L400*W345*H320	7.20kg(15.9lbs)	1	/	/	/
SL120W-01-G3(HY)	Solar Lamp : L2115*W485*H160	33.4kg(73.6lbs)	1	/	/	/
	Street Light Head : L400*W345*H320	7.20kg(15.9lbs)	1	/	/	/