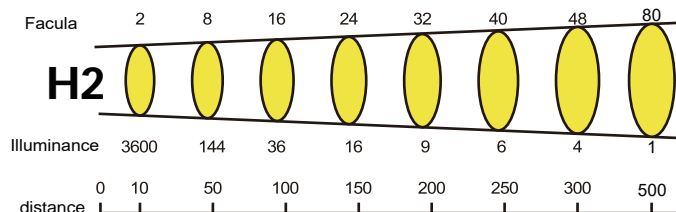
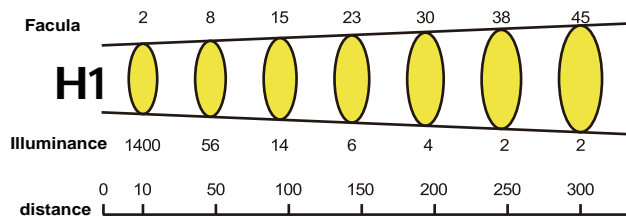




BBM IP66 Marine LED Searchlight H1/H2

Features

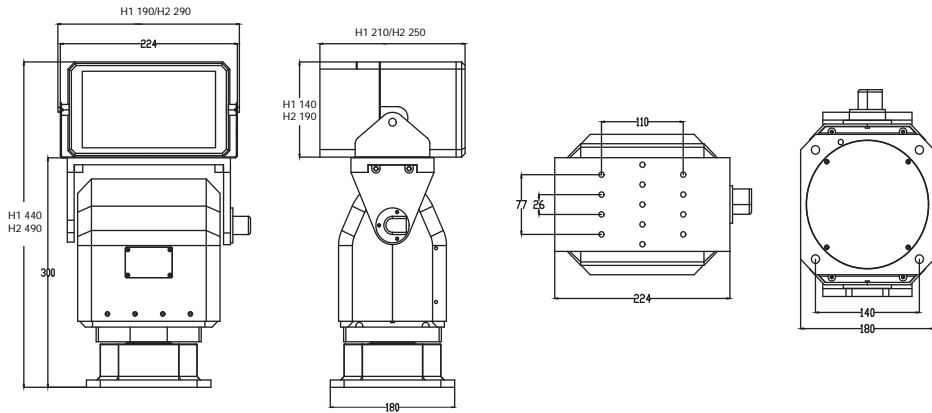
- Protection class: IP66
- Irradiation distance: $\geq 500\text{M}$ (1LUX) $\geq 1000\text{m}$ (0.25LUX)
- Beam angle: 6°
- Slip-rings provide continuous 360° horizontal rotation with no stop points
- Auto-return to home position
- Auto-scan with user programmability
- Advanced proportional-speed control
- Approved for temperatures down to -35°C and up to +55°C
- Materials: marine grade aluminum and stainless steel with salt-resistant powder coat finish
- Lower power consumption: LED's consume 75% or more less power than Halogen lamps
- Longer life: LED's last tens-of-thousands of hours compared to approximately 250 to 750 hours depending upon the Halogen lamp. This reduces lamp replacement costs, increases reliability



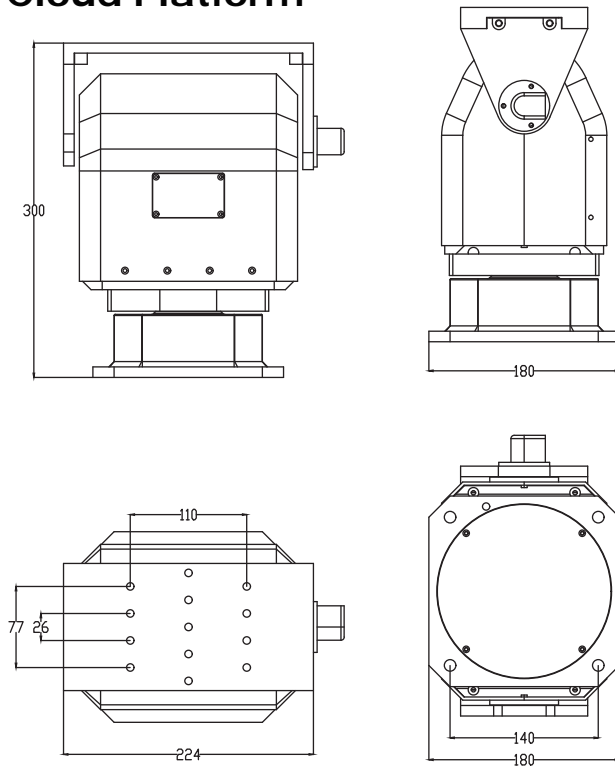
Applications

- National defense
- Marine
- Military
- Water conservation
- Expedition and oil field
- Wharf
- Large surface warship
- Maritime search and rescue





Cloud Platform



Specifications

Model	BBM-SL80WBH1	BBM-SL120WBH1	BBM-SL160WAH2	BBM-SL200WAH2	
Light Information	Light Source	LED	LED	LED	LED
	Power Consumption	80W	120W	160W	200W
	Color Temperature	6500K			
	Input Voltage	AC 220V 50/60HZ/DC12V			
	Working Temperature	-35°C ~ +55°C			
	IP Rating	IP65			
	Lifespan	>30,000 hours			
	Beam Angle	6°			
Cloud Platform (Optional)	Beam Distance	≥300m (1LUX)	≥300m (1LUX)	≥500m (1LUX)	≥500m (1LUX)
	Weight	5Kg	10Kg	15Kg	20Kg
	Adjustable Speed	Horizontal: 1°~9°/S, vertical: 1°~6°/S			
	Adjustable Angle	Horizontal: 0~180° or 0~360°, vertical: +15°~30°			
	Preset Position	80pcs			
	Repeated Positioning Accuracy	±1°			
	Communication Protocol	Pelco-D, Pelco-P for option			
	Communication Baud Rate	2400 / 4800 / 9600 / 19200 bps for option			
Communication Interface	RS 485				
Power	/	40W	/	40W	