



BBM LED IP69 K10 Tri-proof Light

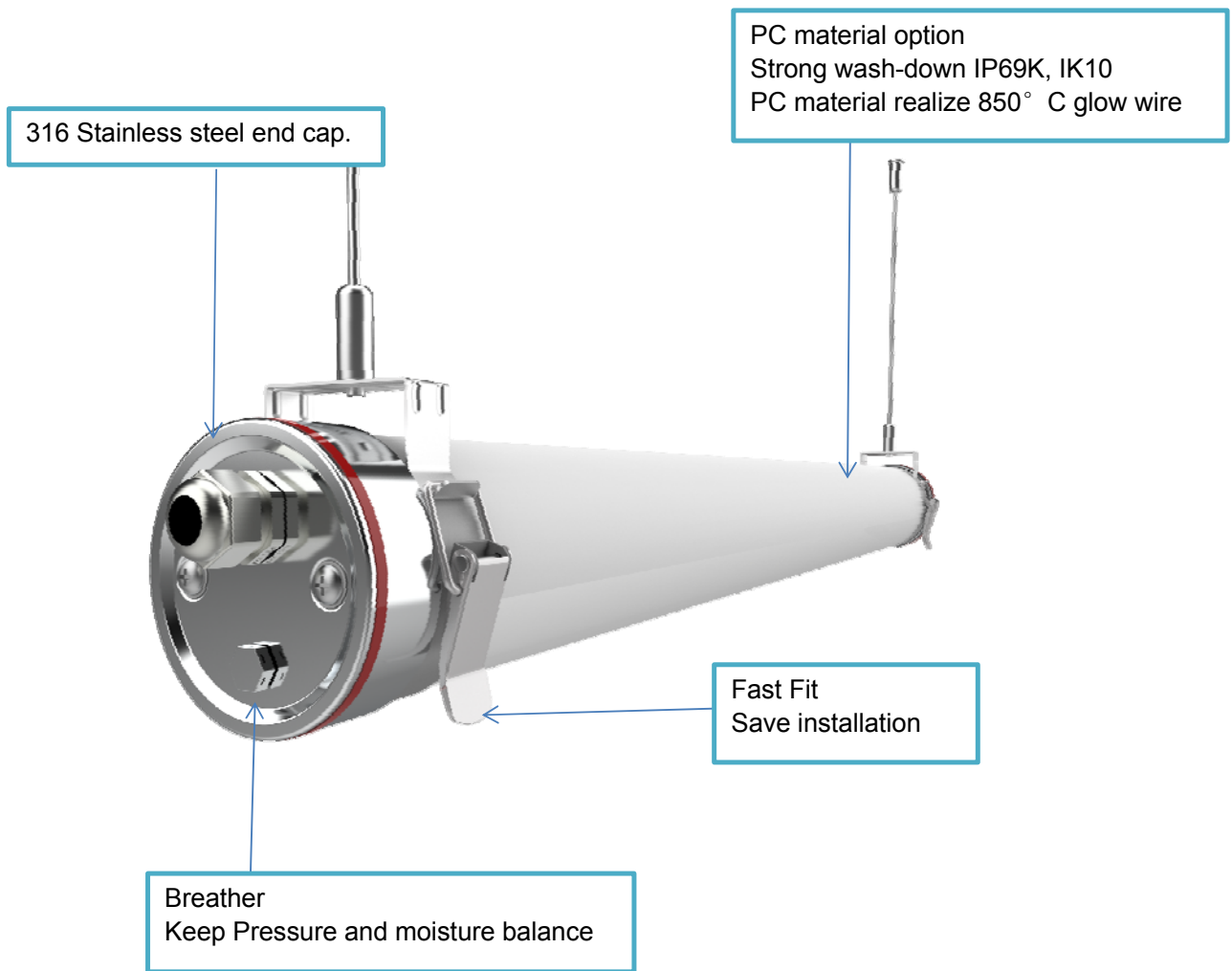


IP69K

IK10

PC

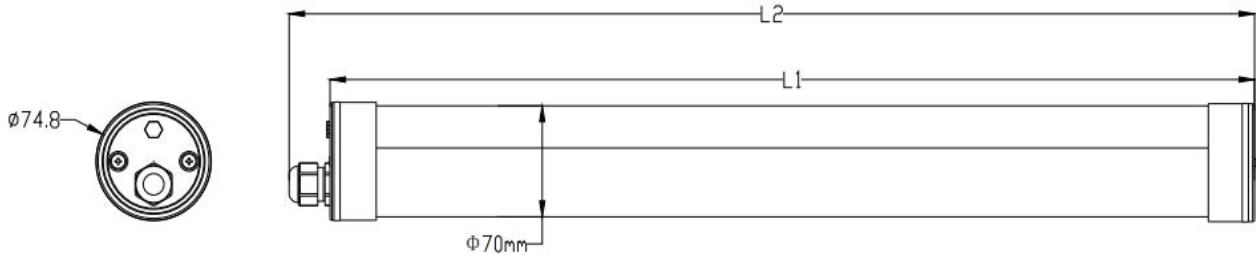




Features

- IP69K can stand 1450psi high pressure wash-down
- Strong Impact resistance IK10.
- 130lm/w or 160lm/w available
- Corrosion Resistance,UV Resistance
- PC material option,HACCP & NSF standard.
- Nonporous & sealed design that ensures they remain free of corrosion, dust, dirt, insects, moisture and bacteria.

Product dimension



Parameter

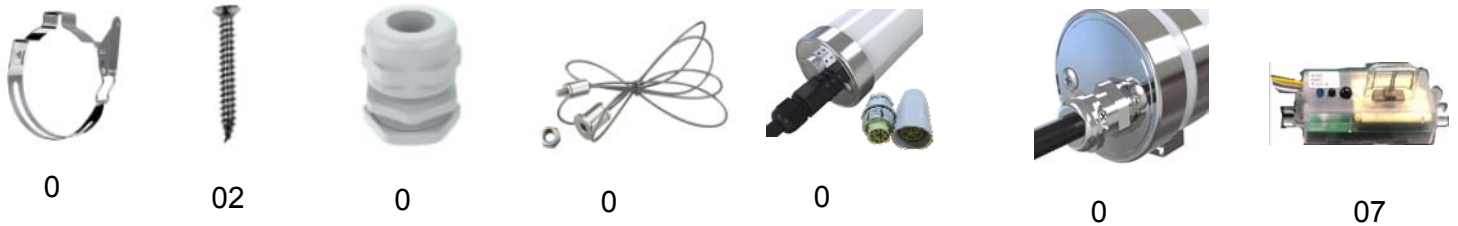
Model NO.	Length L1	Power (W)	Lumens	
			140lm/w	160lm/w
A-VTP-28	600mm	28	3920	4480
A-VTP-36	1200mm	36	5040	5760
A-VTP-48	1500mm	48	6720	7680
A-VTP-60	1500mm	60	8400	9600
A-VTP-80	2400mm	80	11200	12800

AC Input	100-277V,120-347V 50/60Hz
Light Source	2835 SDCM < 5(SDCM < 3 option)
CRI	80/90/95
CCT	30=3000K 40=4000K 50=5000K 65=6500K
Light Efficiency	140lm/w, 160lm/w
Beam Angle	120°
L70B10/L70B50	@Ta 25°C: 78000h/91000h
Size	Diameter 70mm
IP&IK Rating	IP69K & IK10
Warranty	5 years
Function	Dimmable, Motion sensor, Linkable

Notes:

- Frosted cover is 10lm/w less than clear cover
- Above lumens based on 5000K Ra:70
- Luminous flux tolerance +-5%, power tolerance+-5%

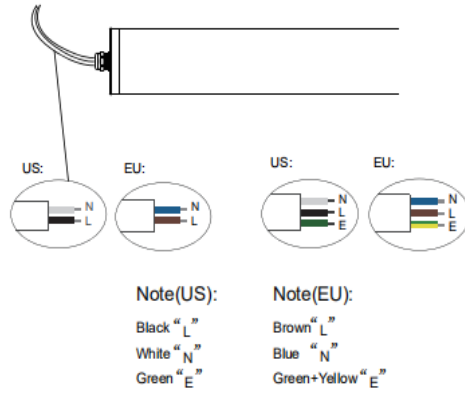
Accessory



Mounting Accessories

Accessories	Image	Designion	Material	Description	Quantity	Accessory use
Standard	01	Metal Bracket	Stainless steel	75.6x35x33.3mm	2PCS	for the suspending and Ceiling Mounted.
Standard	02	Screw	Stainless steel	4X20mm	2PCS	Used for the absorption of Ceiling Mounted.
Standard	03	M20 Connector	PC	Length of thread:8mm	1PCS	Dimension : 8mm<Cable<12mm
Optional	04	Suspending Cable	Stainless steel	1M/1.2M/1.5M/3M	2PCS	Used for the absorption of suspending.
Optional	05	5 Pin Connector	PC	Length of thread:8mm	1PCS	Up to 5 pin quick connector or dimmable linkable
Optional	06	Stainless steel Connector	PC	Length of thread:8mm	1PCS	S316 stainless steel connector
Optional	07	Embedded Motion Sensor		φ	1PCS	ON/OFF and dimming functions for maximum energy saving

• Standard



• Fast connector

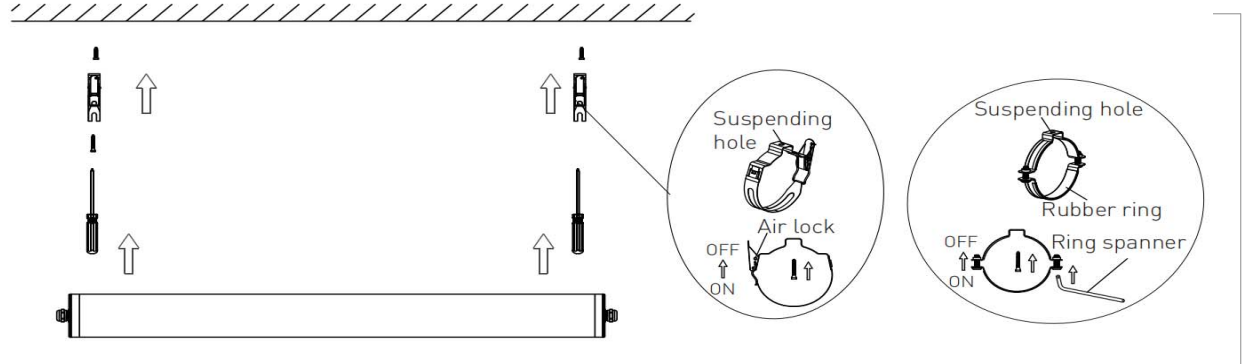


• Linkable



Installation

① Ceiling Mounted Installation



② Hanging Installation

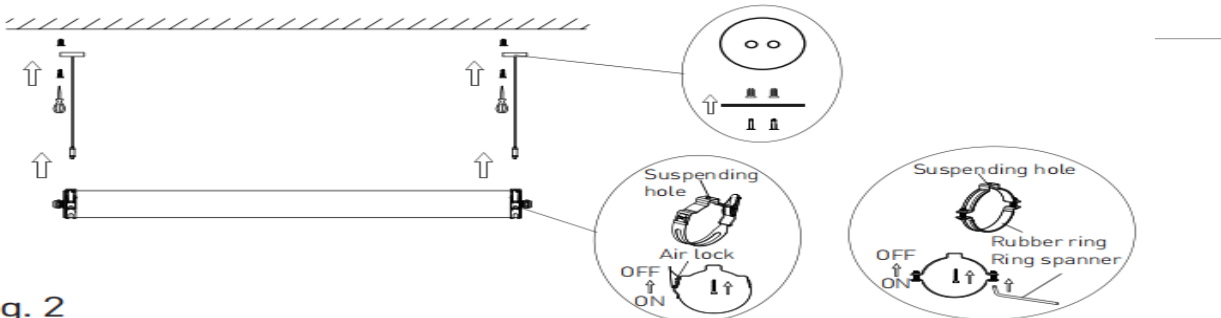
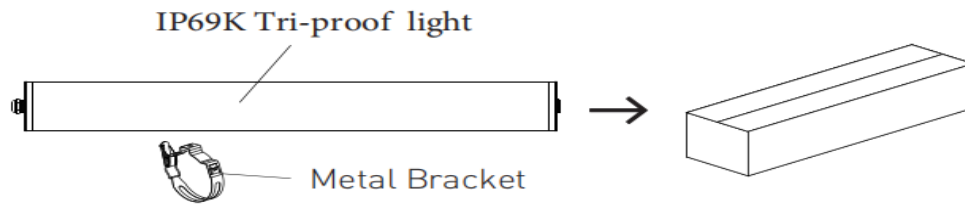


Fig. 2

Packaging



Model No	Pcs/Carton	NW(Kg)	GW(Kg)	Dimension(cm)
A-VTP-28	1pcs	1.3kg	2.1kg	L75*W10*H10
A-VTP-36	1pcs	1.8kg	2.55kg	L135*W10*H10
A-VTP-48	1pcs	2.3kg	3.4kg	L165*W10*H10
A-VTP-60	1pcs	2.3kg	3.4kg	L165*W10*H10
A-VTP-80	1pcs	3.6kg	5.1kg	L255*W10*H10

Application

Suitable for Car washing area, Railway station, Food processing plants, Farm area, Corridor, Gallery, Parking lot, Factory, ect.

